

Instructions - WOOD GATES



This latch can only be fitted to gates and posts up to 5" (125mm) square!
The enclosed screws will suit most wooden gate and fence applications.
As with all "mechanical" gate latches, LOKK•LATCH PRO is not recommended for use on pool gates and other child safety areas. Use MAGNA•LATCH® magnetic safety gate latches for these applications.

INSTALLATION PROCEDURE

Ensure the gate frame and the latch post are in alignment (no offset). See dotted line No. 1.

Tools required: Electric or cordless drill, 5/8" (16mm) speed-bit (bore), Phillips No. 2 screwdriver (hand & powered types), fine-toothed hacksaw.

1. Determine the desired fixing location (height) of the latch.

It is important the Latch Body is installed to the same side of the gate as the hinges. (If the gate uses 'butt hinges', install the latch onto the "pivoting" side of the hinges.)

2. Note that you have been supplied with a fitting "jig" to assist installation. Position the jig onto the Latch Post as shown in Diagram A. Insert a fine pencil into the hole 'Hole 1' and mark on post. Also, with the pencil, mark a line across the top of the jig as shown at "L". [Note the 'MORTICING WOOD' notes at far right.]

3. Move to the rear of the Latch Post (see Diagram B) and locate the jig so it is directly opposite the first marked hole center, using the marked line "L" as the top of the jig. Mark the rear hole center in 'Hole 1' using the pencil.

4. Using a 1/2" (13mm) speed-bit, drill from BOTH sides of the wood post using the marked hole centers. It is important to drill precisely at these centers and to drill progressively from both sides to meet at the center of the post.

5. Take the 'Push-Button Assembly' and insert the tail ['T'] through the back side of the post so that the Push-Button Assembly is pressed firmly against the post. Note: Do not insert the key. Temporarily secure the assembly using several of the self-drilling screws supplied.

6. VERY IMPORTANT: Before the main Latch Body can be installed, the tail ['T'] needs to be cut to the correct length. To achieve this, ensure the protruding portion of the tail sits horizontally (parallel to ground) and place the jig over the tail as shown in Diagram C. Mark at the end of the lug 'J' with a fine pencil line. Remove the Push-Button Assembly and use the hacksaw to cut the tail at the marked line. File smooth any sharp edges of the tail. Secure the Push-Button using all four self-drilling screws supplied.

7. Leaving the tail in the horizontal position, insert a key into the Latch Body and turn the key counter-clockwise to lock. Note two 'clicks' as you turn key.

8. Take the Latch Body; observe the molded center spigot in the rear of the latch. Insert the spigot over the tail and into the hole within the post. Ensure that the Latch Body is pressed firmly against the post and secure the latch using another four screws. Unlock the latch with the key.

9. Close the gate. Take the Striker Body and locate it on the Gate Frame so that the Striker Bolt is aligned with the centre of the latch as indicated by dotted line 'C'. Maintaining this alignment, and ensuring the Striker Body is pressed firmly against the gate frame, secure the Striker Body with two screws in the center of the two front slots (to allow for future re-alignment). Now open the gate and check the Striker Bolt alignment and operation with the Latch Body. Install the remaining screws in the side-fixing leg. **10. Insert dress caps into the screw cavities.**

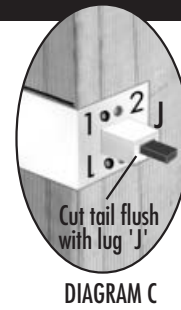
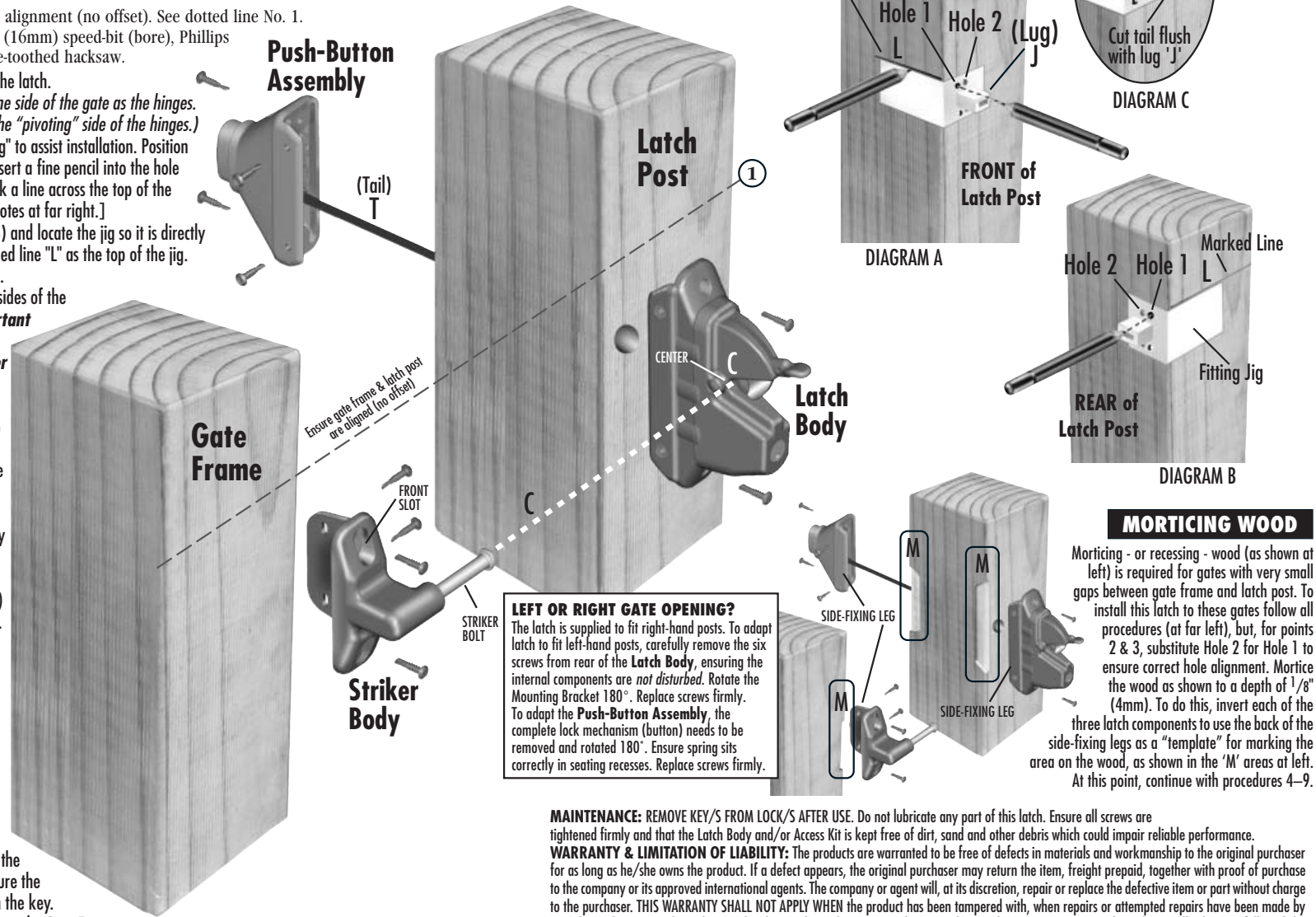


DIAGRAM C

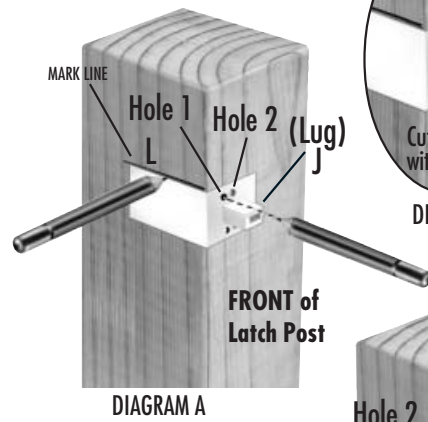


DIAGRAM A

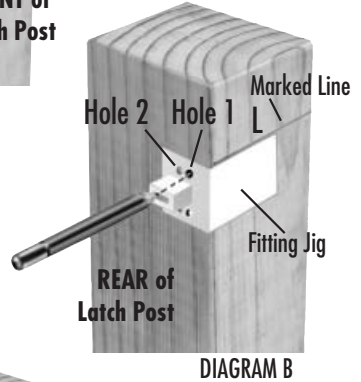


DIAGRAM B

MORTICING WOOD

Morticing - or recessing - wood (as shown at left) is required for gates with very small gaps between gate frame and latch post. To install this latch to these gates follow all procedures (at far left), but, for points 2 & 3, substitute Hole 2 for Hole 1 to ensure correct hole alignment. Mortice the wood as shown to a depth of 1/8" (4mm). To do this, invert each of the three latch components to use the back of the side-fixing legs as a "template" for marking the area on the wood, as shown in the 'M' areas at left. At this point, continue with procedures 4-9.

LEFT OR RIGHT GATE OPENING?
The latch is supplied to fit right-hand posts. To adapt latch to fit left-hand posts, carefully remove the six screws from rear of the Latch Body, ensuring the internal components are not disturbed. Rotate the Mounting Bracket 180°. Replace screws firmly. To adapt the Push-Button Assembly, the complete lock mechanism (button) needs to be removed and rotated 180°. Ensure spring sits correctly in seating recesses. Replace screws firmly.

MAINTENANCE: REMOVE KEY/S FROM LOCK/S AFTER USE. Do not lubricate any part of this latch. Ensure all screws are tightened firmly and that the Latch Body and/or Access Kit is kept free of dirt, sand and other debris which could impair reliable performance.
WARRANTY & LIMITATION OF LIABILITY: The products are warranted to be free of defects in materials and workmanship to the original purchaser for as long as he/she owns the product. If a defect appears, the original purchaser may return the item, freight prepaid, together with proof of purchase to the company or its approved international agents. The company or agent will, at its discretion, repair or replace the defective item or part without charge to the purchaser. THIS WARRANTY SHALL NOT APPLY WHEN the product has been tampered with, when repairs or attempted repairs have been made by unauthorised persons, where the item has been subjected to misuse, abuse, accident or damage in transit, or where the installer has not followed the instructions set out during installation or operations. No charges will be accepted for unauthorised parts, repairs or services. IN NO EVENT SHALL THE COMPANY BE LIABLE FOR ANY INCIDENTAL OR CONSEQUENTIAL DAMAGES. No warranty is given other than that set out above. No express or implied warranties (including statutory warranties) apply, other than warranties which may not legally be excluded.